

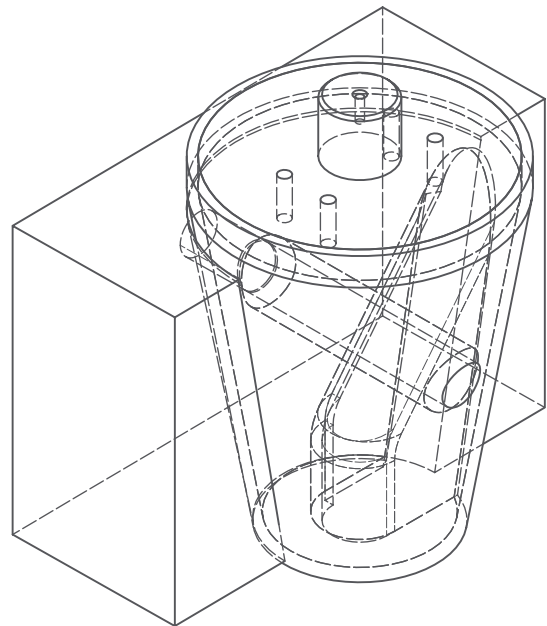
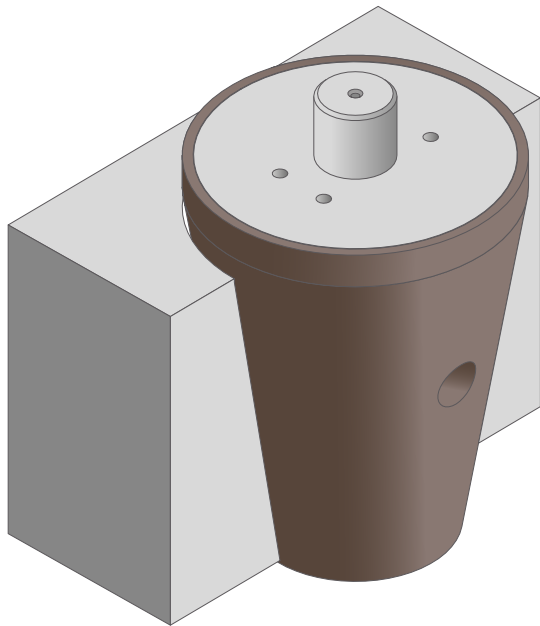


## FOOD FILLING MACHINE VALVES

### Processable products:

- Sauces
- Syrup
- Fruit juice
- Tomato paste
- Meat paté
- Jam
- Condensed milk
- Baby food
- Pet food
- Chocolate cream

# FOOD FILLING MACHINE VALVES



Fluorten S.r.l produces these components since 20 years both in cylinder and conical shapes.

**Special materials:**

- F10-99 FDA compliant (Fluoropolymer based material)
- F10-15 FDA compliant (Peek based material)

**Suitable for:**

Monoblock filling machines dedicated to the edible oil market (**volumetric filler**).

All parts in contact with the product are made of stainless steel or non-toxic materials (FDA compliant).

The whole machining process is performed accordingly to GMP (Good Manufacturing Process).

**Key advantages:**

- Low porosity, FDA, high chemical resistant materials.
- GMP certified Production Processes. (Good Manufacturing Processes).
- No Gap between plastic and metals (no dirty accumulation), allowing easy cleaning operation.
- Great machining precision and smooth surface (no dirty accumulation).

**FLUORTEN PRODUCES:**

PTFE Rulon® Finished parts	Slipper rings FLUOR-S/SC tapes	Spring energized seals	Compressors bearings and seals	Technopolymers injection moulding	VICTREX® PEEK/ PCTFE Semifinished products	Official italian distributor of DuPont™Vespel® trademark
-------------------------------	-----------------------------------	------------------------	--------------------------------	-----------------------------------	--	--

