

BALL VALVE COMPONENTS

Fluorten is a leading market manufacturer of industrial ball valves components like seats, seals, spring energized and gland packing in PTFE and HPP - High Performance Polymers - able to satisfy engineering demand like for instance temperatures from cryogenic (-196°C) to 288 °C and, for short periods, up to 482 °C.

Thanks to the partnerships with most important worldwide producers of polymers, Fluorten can provide high quality engineering customized parts manufactured in pure and filled PTFE , modified PTFE (Dyneon™TFM™), HPP - High Performance Polymers - like VICTREX®PEEK, DuPont™VespeI®, PCTFE, PA 6.12 and more on demand.

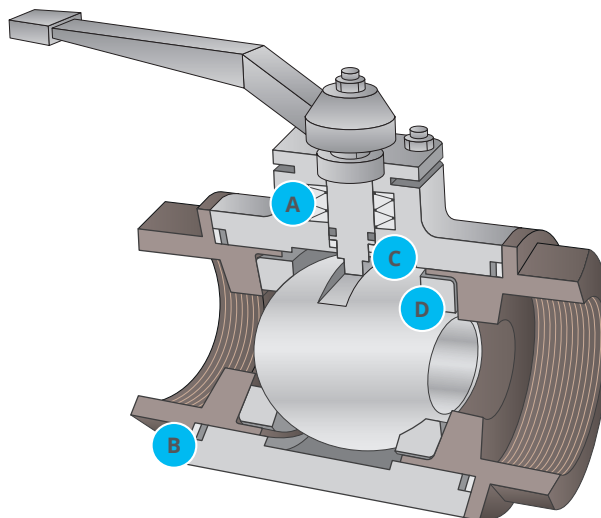
Application field of ball valve components

- . Oil & gas
- . Chemical
- . Cryogeny
- . Pharmaceutical
- . Heating
- . Marine
- . Water and food

VALVE SEAT COMPONENTS

SEATS AND BODY SEALS

- A** Gland packing
- B** Body seal
- C** Thrust washer
- D** Seat



	PROPERTY	Density	Tensile strenght	Elongation	Hardness	Max. / Min. operating temp.
	STANDARD	ASTM D 792	ASTM D 4894	ASTM D 4894	ASTM D 2240	/
	UNITS	g/cm ³	Mpa	%	Shore D	°C
TYPICAL VALUES	F10-01 VIRGIN PTFE	2.16	20	200	55	+250 / -50
	F10-02 MODIFIED PTFE	2.16	30	350	60	+250 / -100
	F10-26 FILLED PTFE	2.10	12.5	100	65	+250 / -100
	F10-15 NAT PEEK	1.30	**90	**30	*94	+240 / -60
	DUPONT™ VESPEL® SP21	1.42	**62	**5.5	*80	+300 / -250
	F10-14 PCTFE	2.1	30	50	75	+150 / -250
	F10-27 POLYAMIDE	1.14	80	10	80	+120 / -40

PTFE and TECHNOPYLMERS special formulations available on demand. For any further information please contact our technical office.

*Rockwell Hardness scale M in compliance with Standard ASTM D785.

**Ultimate tensile strength and Ultimate elongation in compliance with Standard ISO 527.

Whilst data and information given here are the result of our considerable experience they are only intended as a guide line and Fluorten s.r.l. can accept no responsibility either for the results obtained from this information or for situations in conflict with any existing patents.

F10-XX Material Norsok M-710 ED.3 and API 6A approved available on demand.

FLUORTEN PRODUCES:

PTFE Rulon®
Finished parts

Slipper rings
FLUOR-S/SC tapes

Spring energized seals

Compressors bearings and seals

Technopolymers injection moulding

VICTREX® PEEK / PCTFE Semifinished products

Official italian distributor of DuPont™Vespel® trademark

